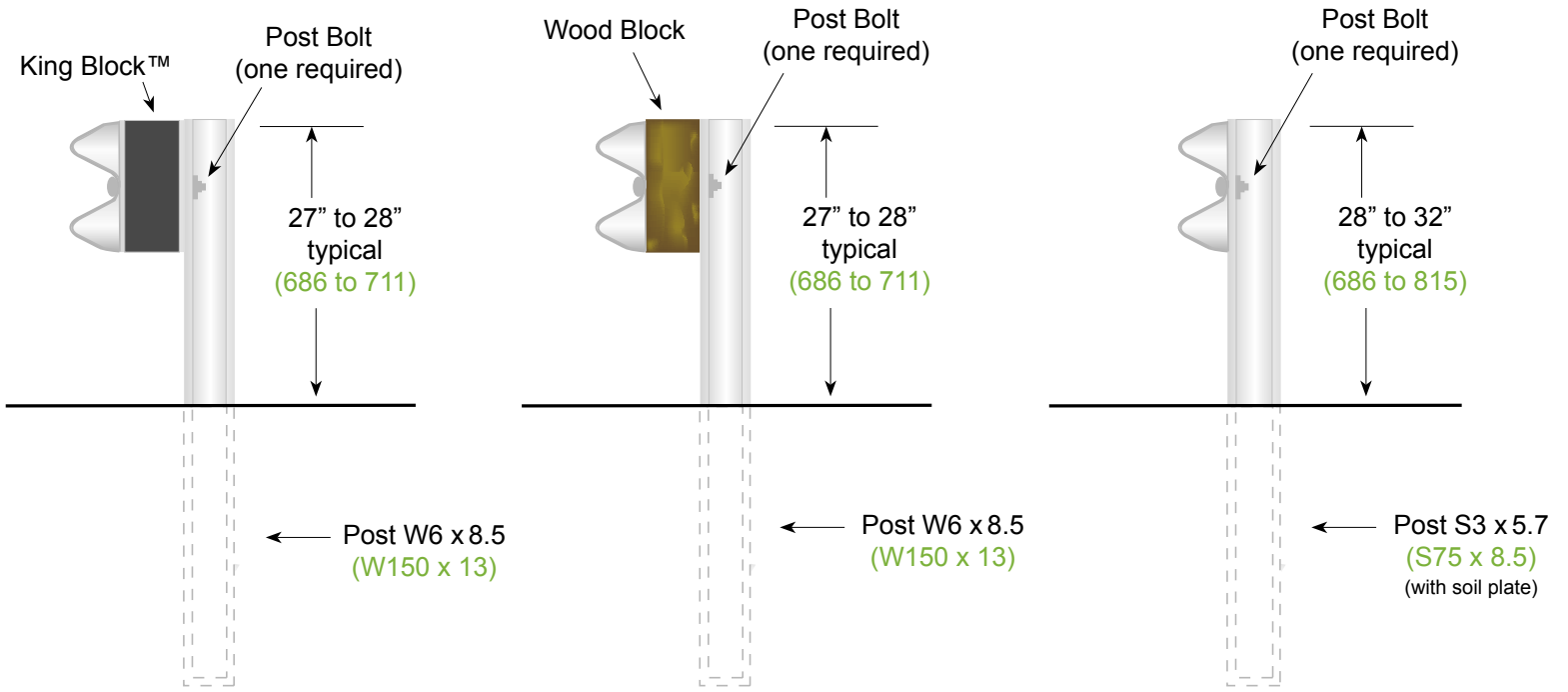


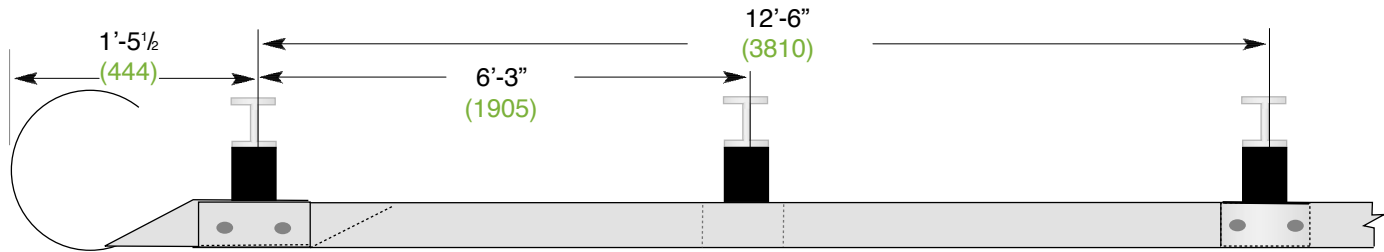
**W-BEAM POST SYSTEMS**



**STRONG POST WITH KING BLOCK™**

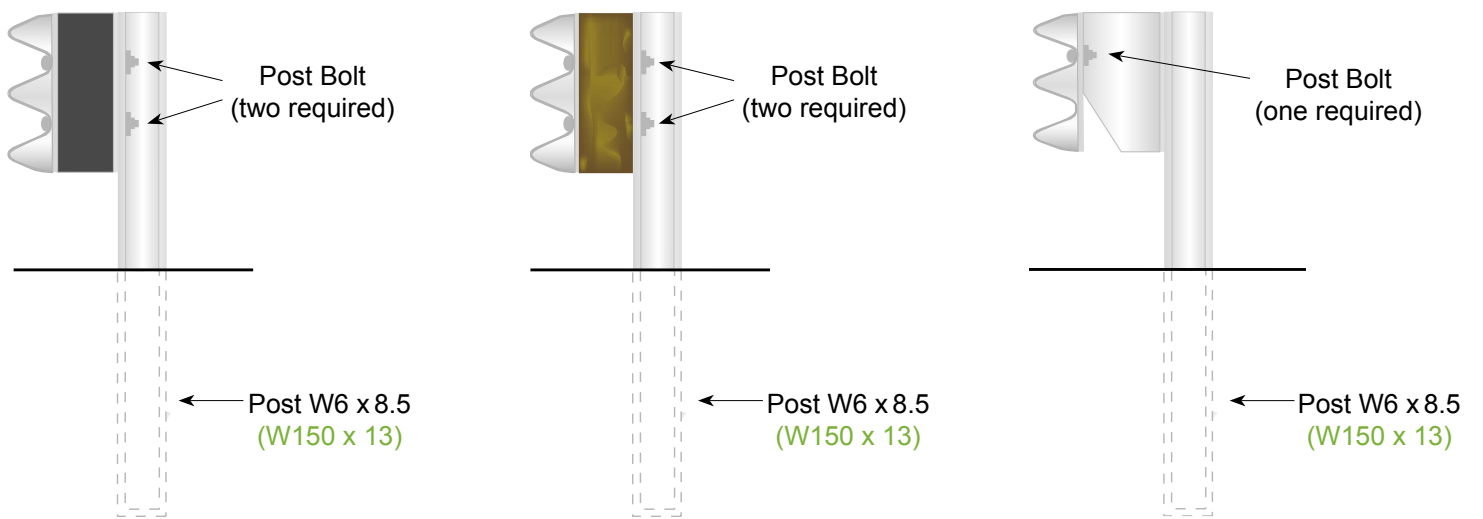
**STRONG POST WITH WOOD BLOCK**

**WEAK POST**



**PLAN**

**THRIE BEAM POST SYSTEMS**



**STRONG POST WITH KING BLOCK**

**STRONG POST WITH WOOD BLOCK**

**STRONG POST WITH MODIFIED STEEL BLOCK (TEST LEVEL 4)**